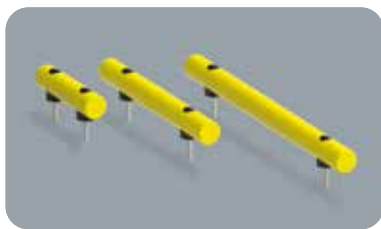
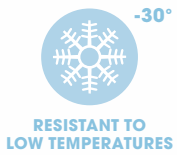
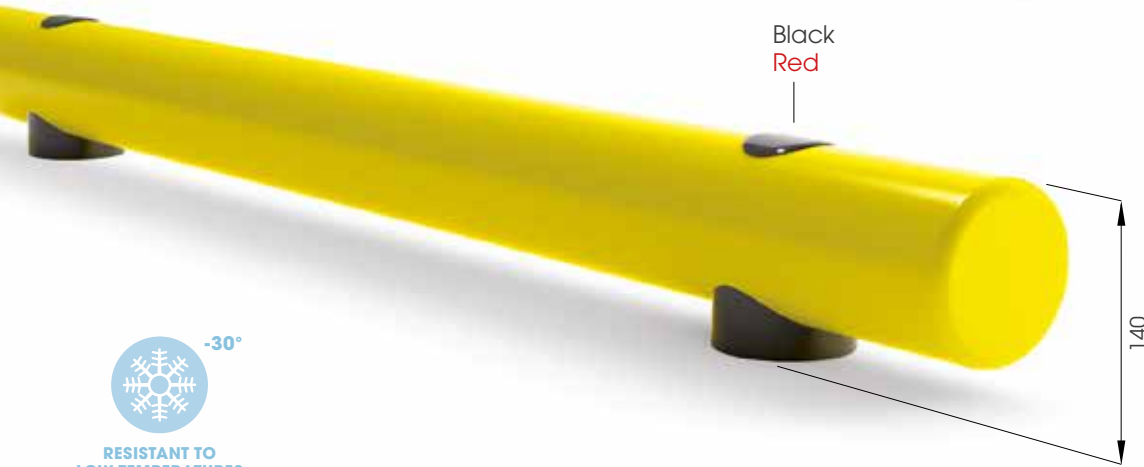


# ROD FLOOR 120

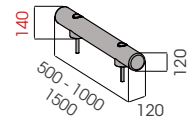


**M20  
STAINLESS STEEL**



**RF 120 500  
1000  
1500**

Length **500 / 1000 / 1500 mm**  
Packing **unpacked on pallet**  
Colour **M**

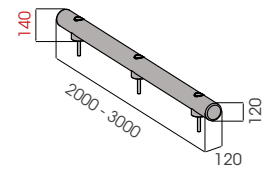


Equipped with accessories



**RF 120 2000  
3000**

Length **2.000 / 3.000 mm**  
Packing **unpacked on pallet**  
Colour **M**



Equipped with accessories

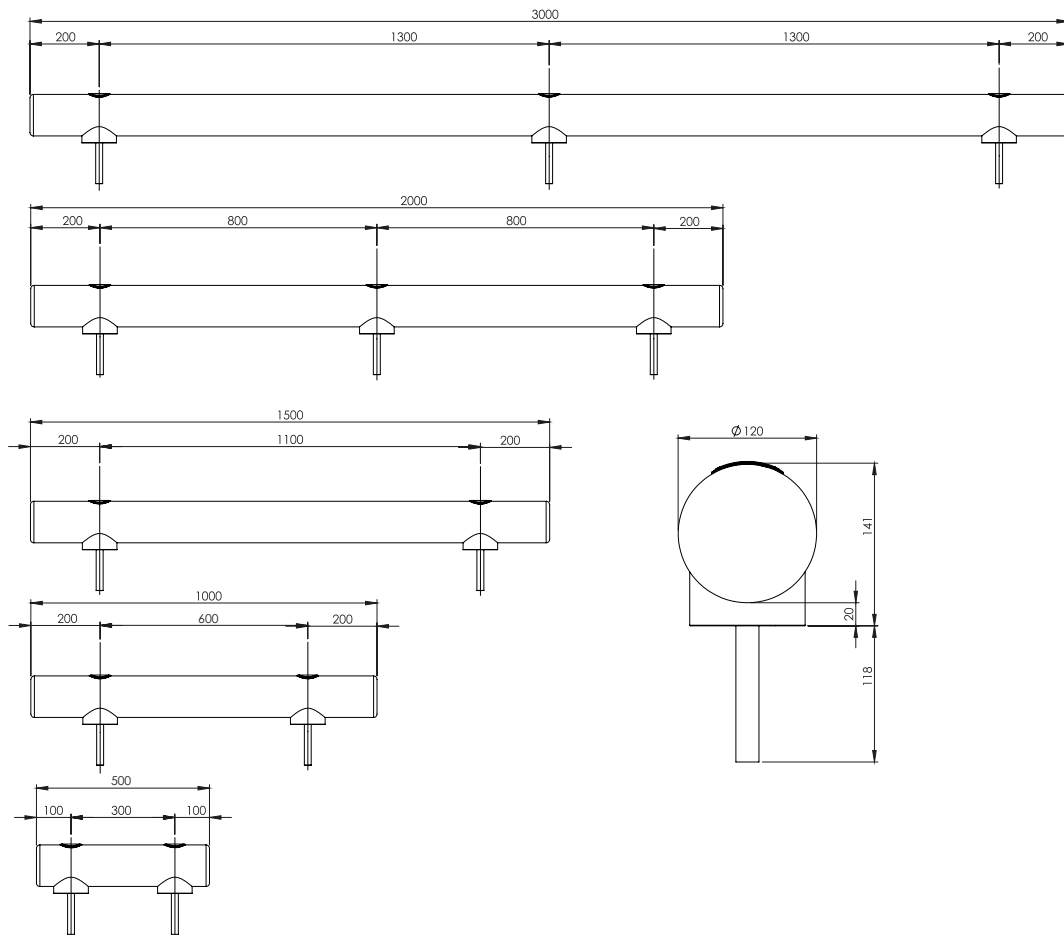
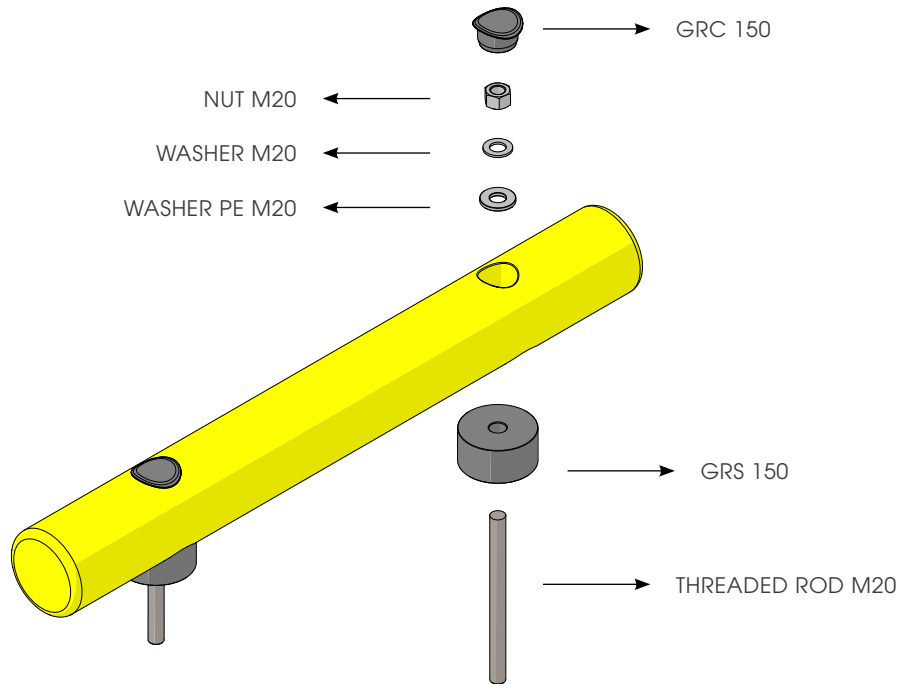


# ROD FLOOR 120

BARRIERA SINGOLA  
SINGLE-RAIL BARRIER



RESISTANT TO  
LOW TEMPERATURES

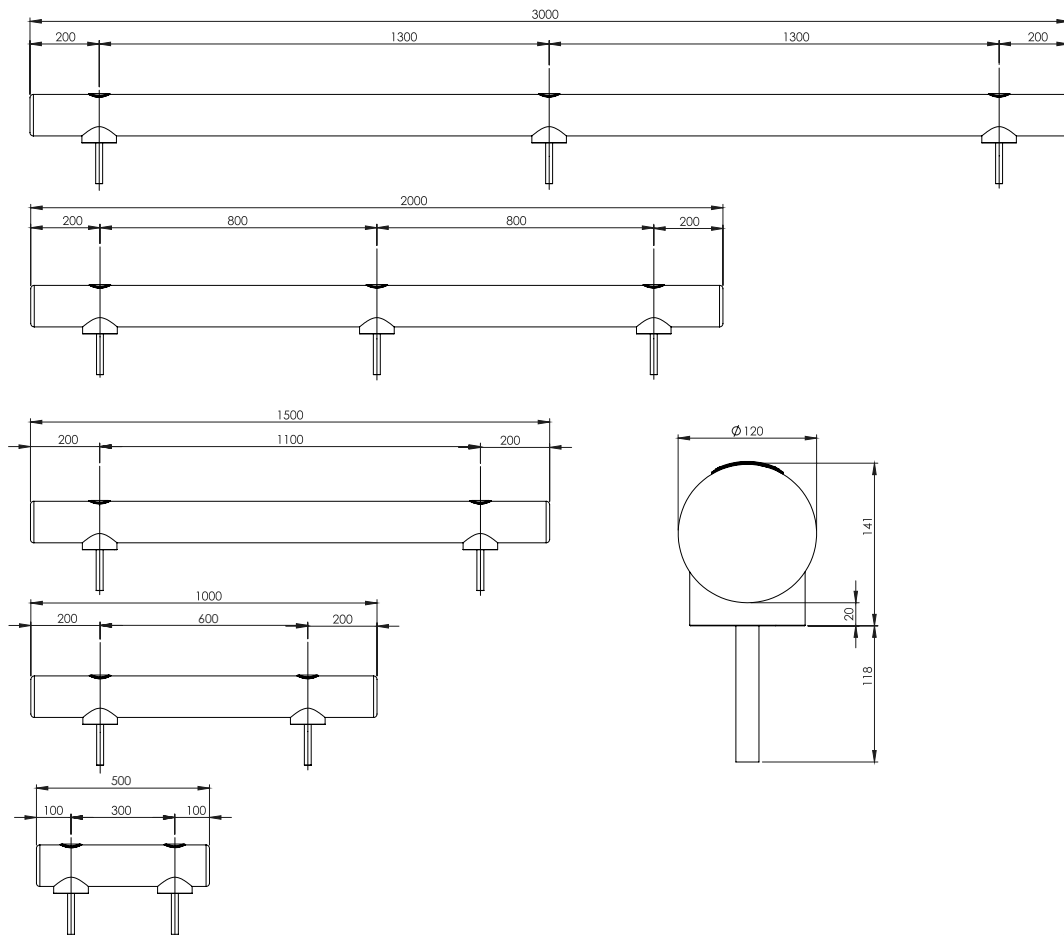
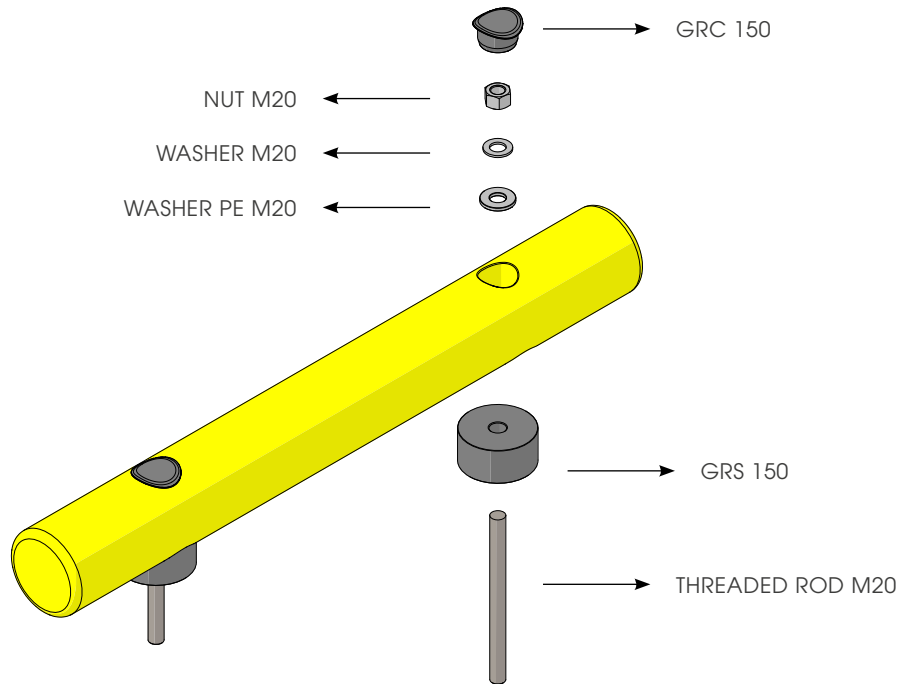


# ROD FLOOR 120

BARRIERA SINGOLA  
SINGLE-RAIL BARRIER



RESISTANT TO  
LOW TEMPERATURES



# ROD FLOOR 120

ISTRUZIONI DI INSTALLAZIONE  
ASSEMBLY INSTRUCTIONS

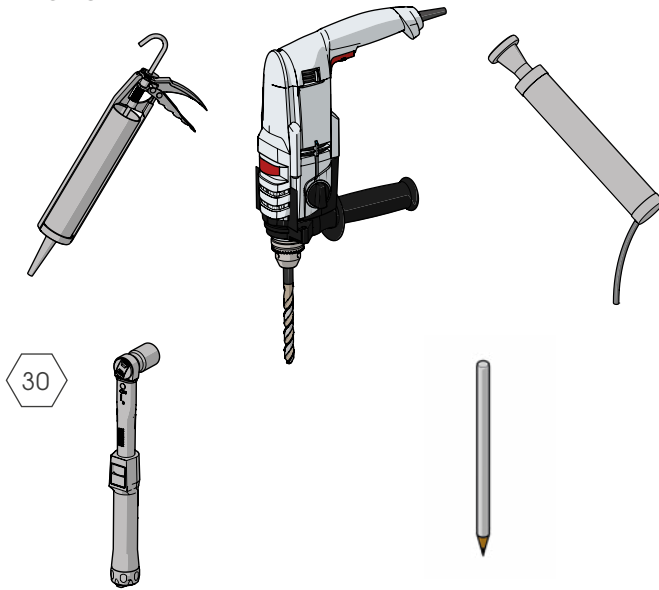


RESISTANT TO  
LOW TEMPERATURES

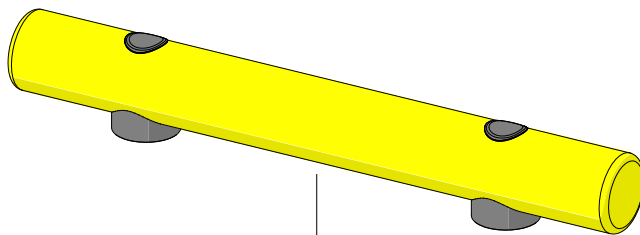
ONLY WITH RESIN

CHEMICAL  
ANCHOR

Ø24 mm

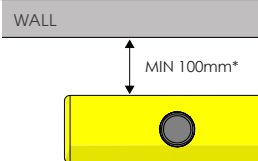


30

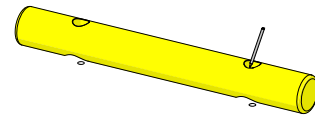


**WARNING**

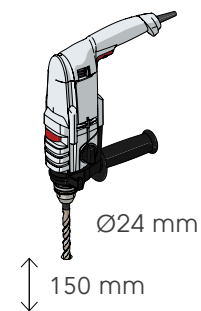
The distance of installation depends on speed and weight of vehicle



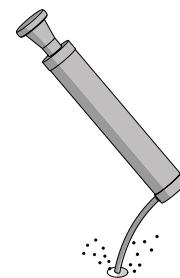
1



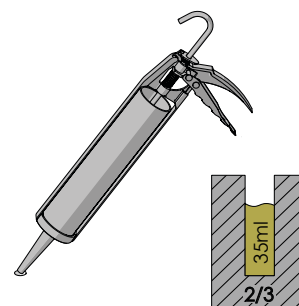
2



3



4



# ROD FLOOR 120

ISTRUZIONI DI INSTALLAZIONE  
ASSEMBLY INSTRUCTIONS



RESISTANT TO  
LOW TEMPERATURES

ONLY WITH RESIN

